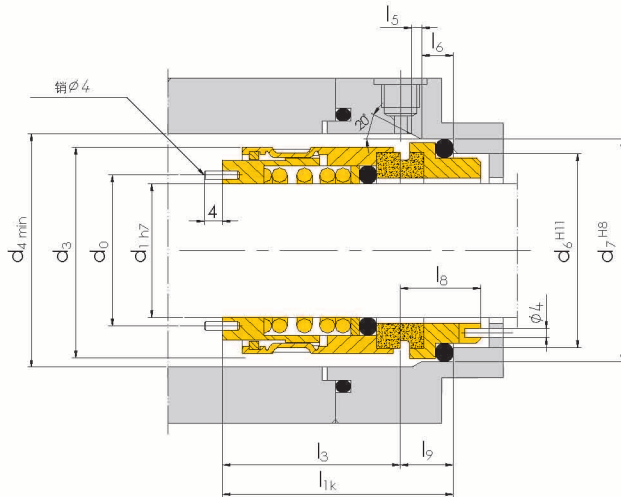


# BGM122



- ◎ 单端面
- ◎ 非平衡型
- ◎ 任意旋向

**BGM122**系列结构紧凑,利用销钉和凹凸搭子传动,且安装使用方便,广泛应用于离心泵,化工泵及各种弱腐蚀性工况。

**Single seal  
Unbalanced  
Independent of direction of rotation**

BGM122 series is driven by pin and tabled fish plate. It is not only compact but also easy to use and install. It is widely used in centrifugal pumps, chemical pumps and various weak corrosive medium.

## 运行参数

规格: 20~80 mm  
 压力:  $\leq 1.2$  Mpa  
 温度:  $-20 \sim 180^\circ\text{C}$   
 线速度:  $\leq 15$  m/s  
 轴向窜动量:  $\pm 0.5$  mm

## Operating limits

Specification: 20~80 mm  
 Pressure:  $\leq 1.2$  Mpa  
 Temperature:  $-20 \sim 180^\circ\text{C}$   
 Linear speed:  $\leq 15$  m/s  
 Axial movement:  $\pm 0.5$  mm

## 材料组合

密封端面:  
 石墨、碳化硅、碳化钨  
 辅助密封:  
 丁腈胶、氟橡胶、乙丙胶、PTFE  
 金属构件:  
 不锈钢

## Combination of materials

**Sealing face**  
 Graphite, Silicon carbide, Tungsten carbide  
**Secondary sealing**  
 Acrylonitrile rubber, Fluorine rubber, Ethylene propylene rubber, PTFE  
**Metal component**  
 Stainless steel

单位 (Unit): mm

d1	d0	d3	d4	d6	d7	l <sub>1k</sub>	l <sub>3</sub>	l <sub>5</sub>	l <sub>6</sub>	l <sub>8</sub>	l <sub>9</sub>
20	26	36	38	29	35	36.5	24.5	2.0	5	19	12
25	31	42	44	34	40	40	28	2.0	5	19	12
30	35	46	48	39	45	43	31	2.0	5	19	12
35	41	53	55	44	50	46	33	2.0	5	20	13
40	46	60	62	51	58	50	37	2.0	6	20	13
45	52	65	67	56	63	54	41	2.0	6	20	13
50	56	71	73	62	70	55	40	2.5	6	22	15
55	62	76	79	67	75	57	42	2.5	6	22	15
60	67	82	85	72	80	58	43	2.5	6	22	15
65	72	87	90	77	85	60	44	2.5	6	23	16
70	77	93	96	83	92	63	45	2.5	7	25	18
75	82	99	102	88	97	65	47	2.5	7	25	18
80	87	108	111	95	105	65	47	2.5	7	25	18

\* 配有其它非补偿环尺寸,请参照“可选非补偿环结构型式”(P52-P53页)

Please refer to the optional non-compensated ring structural specification for the details of other non compensated dimensions(P52-P53)