

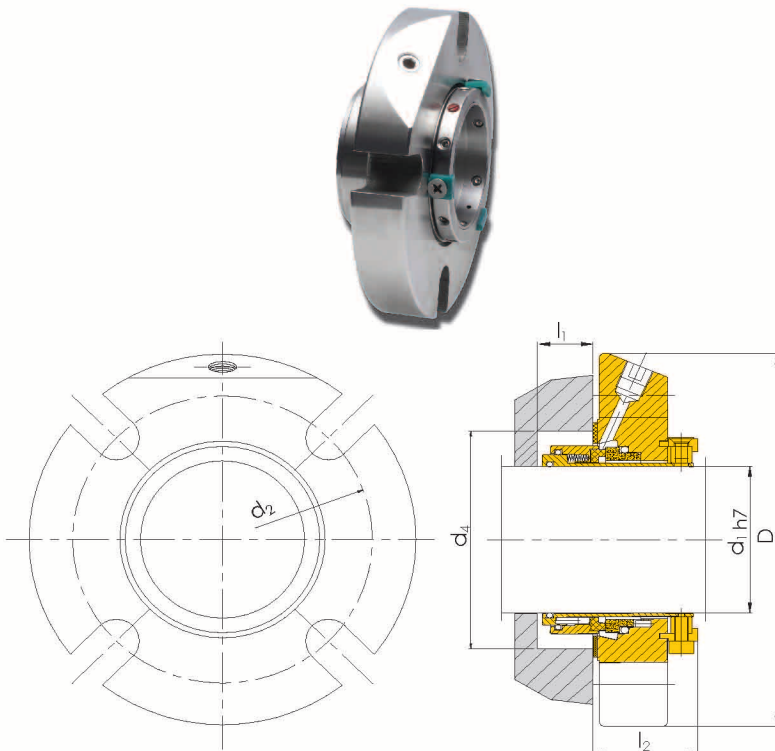
BGM518

- ◎ 单端面集装式
- ◎ 平衡型
- ◎ 任意旋向
- ◎ 符合API610, API682标准

BGM518系列为集装式机械密封,是完全预装化组件,解决人为安装误差的问题.弹簧不与介质接触,避免了阻尼及腐蚀,"O"型圈在设计上无轴向运动,大大增强了"O"型圈的使用寿命.根据工况条件的不同,可提供带冲洗型(518A)、带轴承型(518B)。

**Single end face cartridge type
Balanced
Independent of direction of rotation
To API610, API682**

BGM518 series cartridge type mechanical seal is a completely preassembled component. This can prevent any human installation error. Damp and corrosion are avoided because without contact between spring and medium. The "O" ring is designed without any axial movement. This significantly extends the useful life of the "O" ring. The flushing type (518A type) and the bearing type (518B type) are available for different working conditions.



运行参数

规格: 25~160 mm
 压力: ≤4.0 Mpa
 温度: -40~220°C
 线速度: ≤25 m/s
 轴向窜动量: ±0.5 mm

Operating limits

Specification: 25~160 mm
 Pressure: ≤4.0 Mpa
 Temperature: -40~220°C
 Linear speed: ≤25 m/s
 Axial movement: ±0.5 mm

材料组合

密封端面:
 石墨,碳化硅,碳化钨
辅助密封:
 丁腈胶,氟橡胶,乙丙胶,硅橡胶,PTFE
金属构件:
 不锈钢

Combination of materials

Sealing face
 Graphite, Silicon carbide, Tungsten carbide
Secondary sealing
 Acrylonitrile rubber, Fluorine rubber, Ethylene propylene rubber, Silicon rubber, PTFE
Metal component
 Stainless steel

单位 (Unit): mm

轴径	25	28	30	35	38	40	45	48	50	55	60	65	70	75	80	85	90	95	100	110	120	130	140	150	160	
D-最大	102	105	106	106	114	114	127	133	133	146	165	178	178	191	191	201	215	215	229	241	254	282	295	295	295	
d4-最小	41	44	46	51	56	58	63	67	70	75	81	86	92	102	106	111	117	122	127	137	147	159	170	193	203	
d4-最大	46	49	54	59	62	62	69	70	72	78	84	102	104	112	115	120	130	135	138	176	184	195	215	225	225	
l1-最小	31	31	31	31	35	35	35	33	33	34	34	34	34	35	37	37	37	37	37	37	36	36	36	43	50	50
l2	33	33	33	33	35	35	35	37	37	38	38	38	38	49	49	49	49	49	49	53	53	53	73	80	80	
d2-最小M8	66	69	72	77	82	82	88	91	91	98	105	121	125	135	135	145	115	115	165	188	196	207	224	234	234	
d2-最小M10	68	71	74	79	84	84	90	93	93	100	107	123	127	137	137	147	157	157	167	190	198	209	226	236	236	
d2-最小M12	70	73	76	81	86	86	92	95	95	102	109	125	129	139	139	149	159	159	169	192	200	211	228	238	238	
d2-最小M16	-	-	-	-	-	-	-	-	-	-	-	-	-	-	-	-	-	-	-	-	-	-	-	-	-	196 204 213 232 242 242

* 特殊工况和超大规格密封,请另行索取资料。
 Parameter of other type can be acquired at other time.